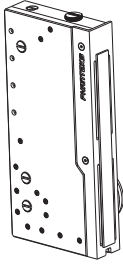
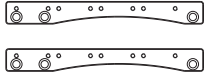

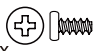
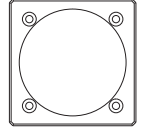





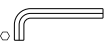


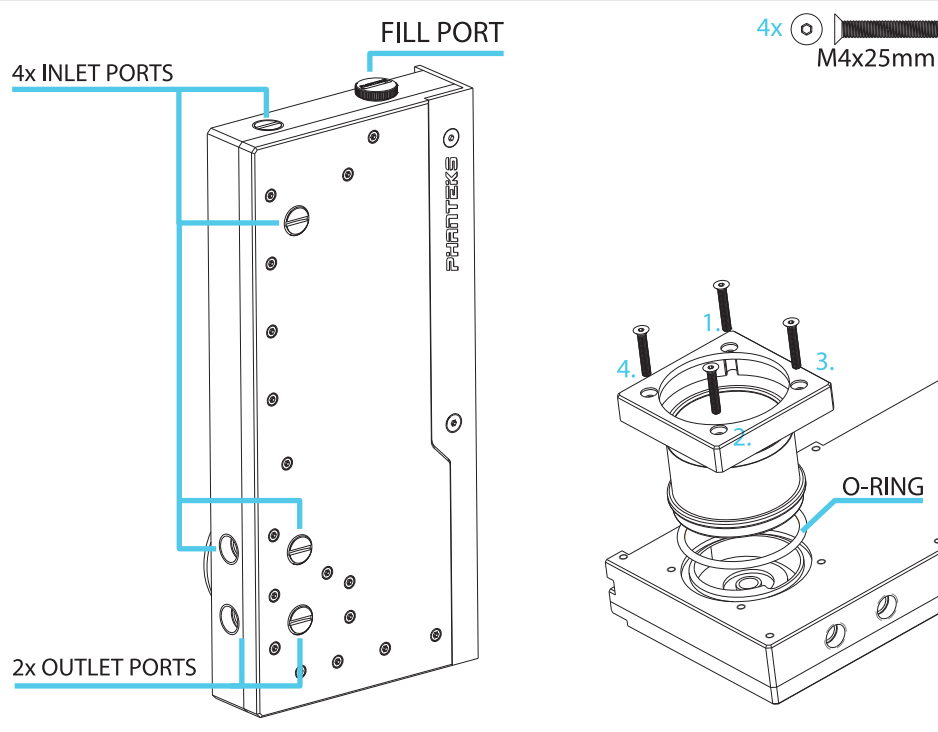
PACKAGE CONTENTS

| | | | | | |
|---|---|--|--------------------------------------|--|-------------------------|
|  |  | 1x  | Stop Fitting (pre-installed) | 4x  | Fan Screws |
| |  | 4x  | Plug Fitting (pre-installed) |  | D-RGB cable |
| | | 4x  | M3x8 Bracket Screws |  | D-RGB Motherboard cable |
| | | 4x  | M4x25 Pump Screws (pre-installed) |  | 2.5mm Allen Key |

⚠️ DISCLAIMER - This product is intended for advanced users. Please consult with a qualified technician for installation. Phanteks assumes no liability for any damages occurring as a result of using Phanteks cooling products.

⚠️ WARNING - Power down the system before installation.
 - Do not disassemble the reservoir/pump. Warranty will be voided.
 - Perform a leak test before turning on the system.
 - Check our website for the latest installation guide.

INSTALLATION



STEP 1. OVERVIEW

The R260 is equipped with multiple ports to allow for more flexibility. Please plan your water loop before proceeding with installation.

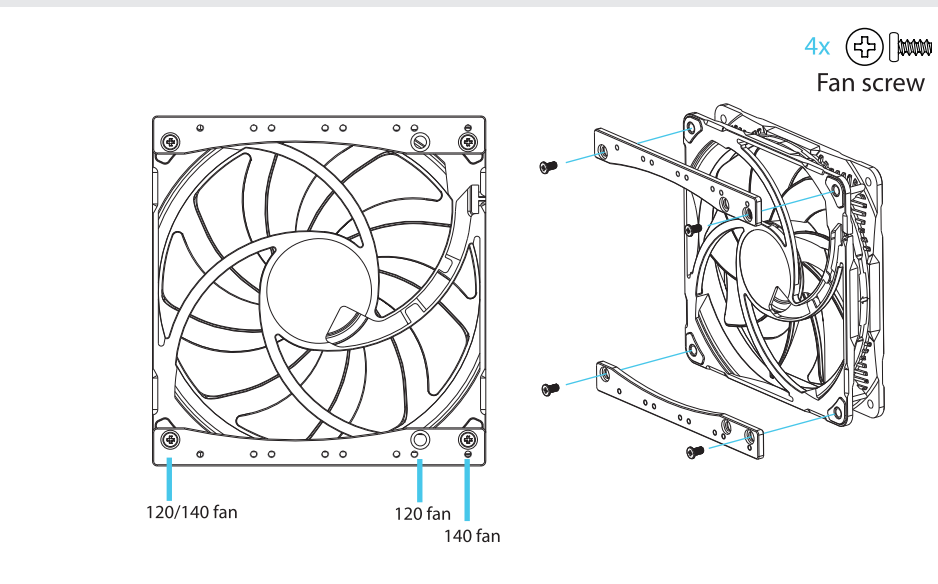
OPTIONAL: PUMP (DE)INSTALLATION

The D5 pump can be easily deinstalled or installed with the 4x M4 pump screws. Tighten the screws in a diagonal sequence as shown.

⚠️ Make sure the o-ring is seated correctly and tightened evenly.

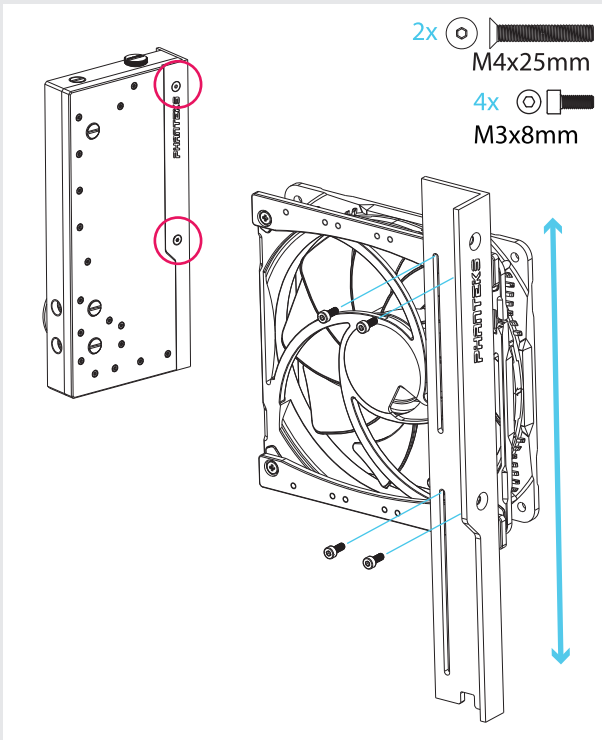
💡 Tighten the pump screws evenly in a diagonal pattern for an even pressure.

💡 After the screws are tightened, it is normal that there will be small gap between the pump bracket and the acrylic.



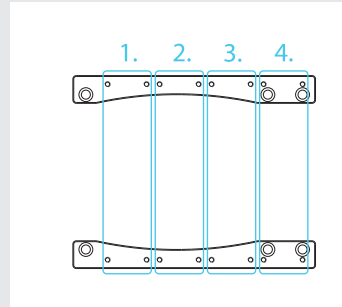
STEP 2. FAN BRACKET INSTALLATION

Mount the 2x Fan Brackets directly to a 120mm or 140mm fan with the 4x Fan Screws.

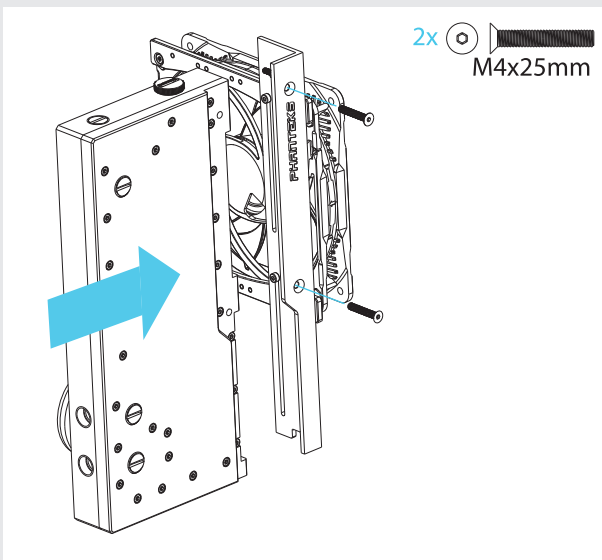


STEP 3. ALUMINUM COVER INSTALLATION

1. Deinstall the aluminum cover from the reservoir and keep the 2x M4x25 screws for STEP 4.
2. Mount the aluminum cover on the fan brackets with the 4x M3x8 screws.

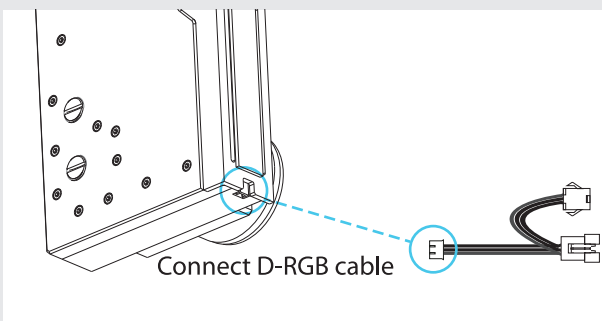


The aluminum cover can be installed in 4 different positions. Find the correct position and slide the aluminum cover up or down for your setup.



STEP 4. RESERVOIR INSTALLATION

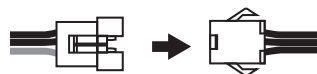
Secure the reservoir to the aluminum cover with the 2x M4x25 screws.



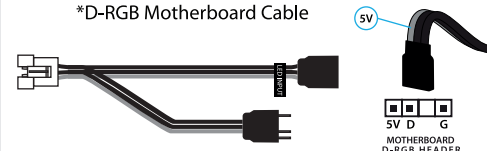
STEP 5. CONNECT D-RGB LIGHTING

Connect the D-RGB LED-strip to other Phanteks D-RGB lighting products:
*Optional- use the motherboard adapter to connect to the motherboard.

Daisy chain Phanteks D-RGB products



*D-RGB Motherboard Cable



STEP 6. POWER ON

- Make sure all connectors and fittings are tightened.
- Connect the pump to a power source.
- Fill the reservoir and let the pump run until all air is released.

Let the pump run for multiple hours. Tilting the system can help to release air bubbles.



For optimal performance please check the following:

- Make sure the pump never runs dry.
- Close any unused ports with Stop Fittings.
- Always perform a leak test before turning on the system.